



2.5 GHz 1,6/5.6 FAILSAFE TRANSFER SWITCH

OPTIONS:

**R F CHARACTERISTICS**

FREQUENCY RANGE : 0 - 2.5 GHz  
IMPEDANCE : 75 Ohms

|                 |         |         |
|-----------------|---------|---------|
| FREQUENCY (GHz) | 0 - 1   | 1 - 2.5 |
| V.S.W.R <=      | 1.20    | 1.30    |
| INSERT. LOSS <= | 0.20 dB | 0.30 dB |
| ISOLATION >=    | 80 dB   | 70 dB   |
| AVER. POWER (*) | 400 W   | 240 W   |

**ELECTRICAL CHARACTERISTICS**

ACTUATOR : FAILSAFE  
NOMINAL CURRENT AT 25° C (±10%) : 340 mA  
ACTUATOR VOLTAGE (Vcc) : 12V (10.2 to 13V)  
TERMINALS : solder pins (250 Deg.C max./30 sec)

**MECHANICAL CHARACTERISTICS**

CONNECTORS : 1,6/5.6 female per IEC 169-13  
LIFE : 2.500.000 cycles  
SWITCHING TIME (nominal voltage;25° C) : < 15 ms  
CONSTRUCTION : splashproof  
WEIGHT : < 85 g

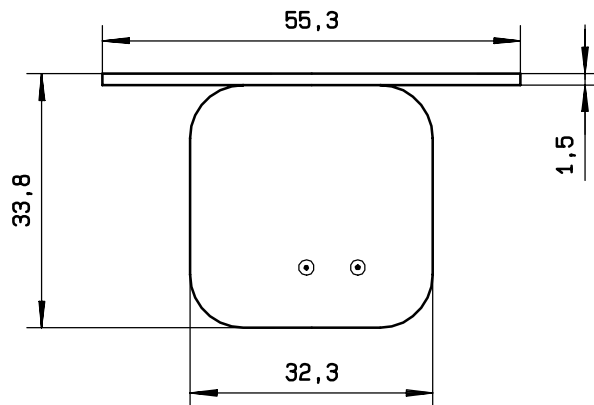
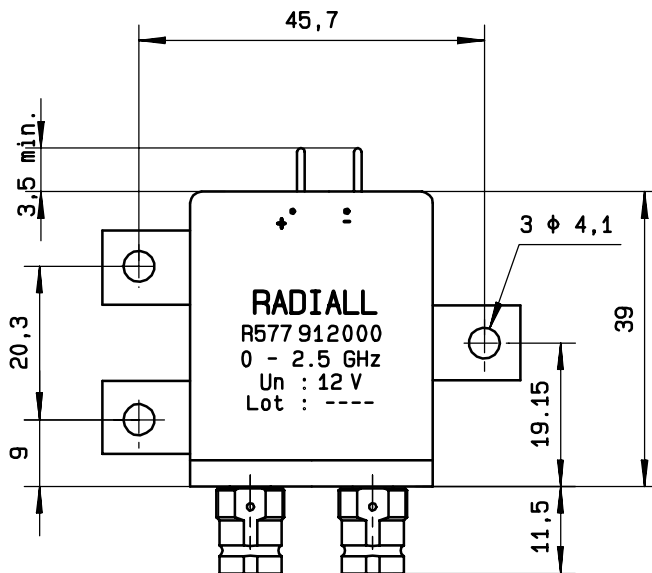
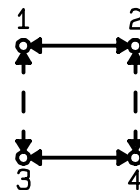
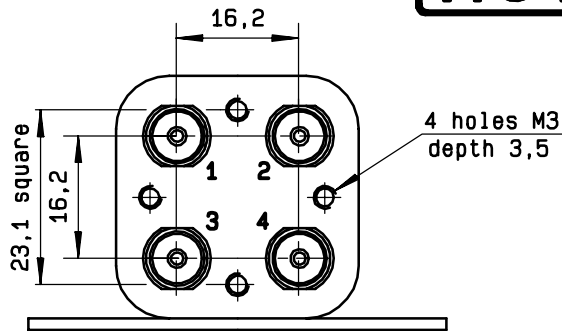
**ENVIRONMENTAL CHARACTERISTICS**

OPERATING TEMPERATURE RANGE (°C) : -25 , +70  
STORAGE TEMPERATURE RANGE (°C) : -40 , +85

(\* : average power at 25° C)

4112-9212 This information is given as an indication. In the continual goal to improve our products, we reserve the right to make any modifications judged necessary

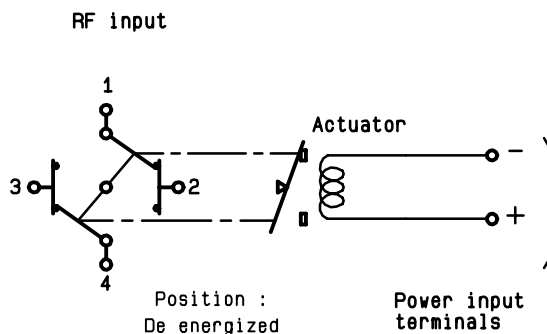
**DRAWING**



General tolerance:  $\pm 0,5$  mm

**SCHEMATIC DIAGRAM**

| Voltage      | RF continuity  |
|--------------|----------------|
| energized    | 1 ↔ 3    2 ↔ 4 |
| De-energized | 1 ↔ 2    3 ↔ 4 |



4113-9212 This information is given as an indication. In the continual goal to improve our products, we reserve the right to make any modifications judged necessary